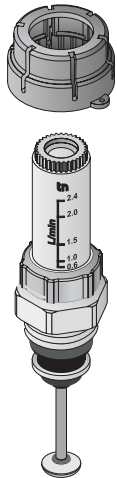
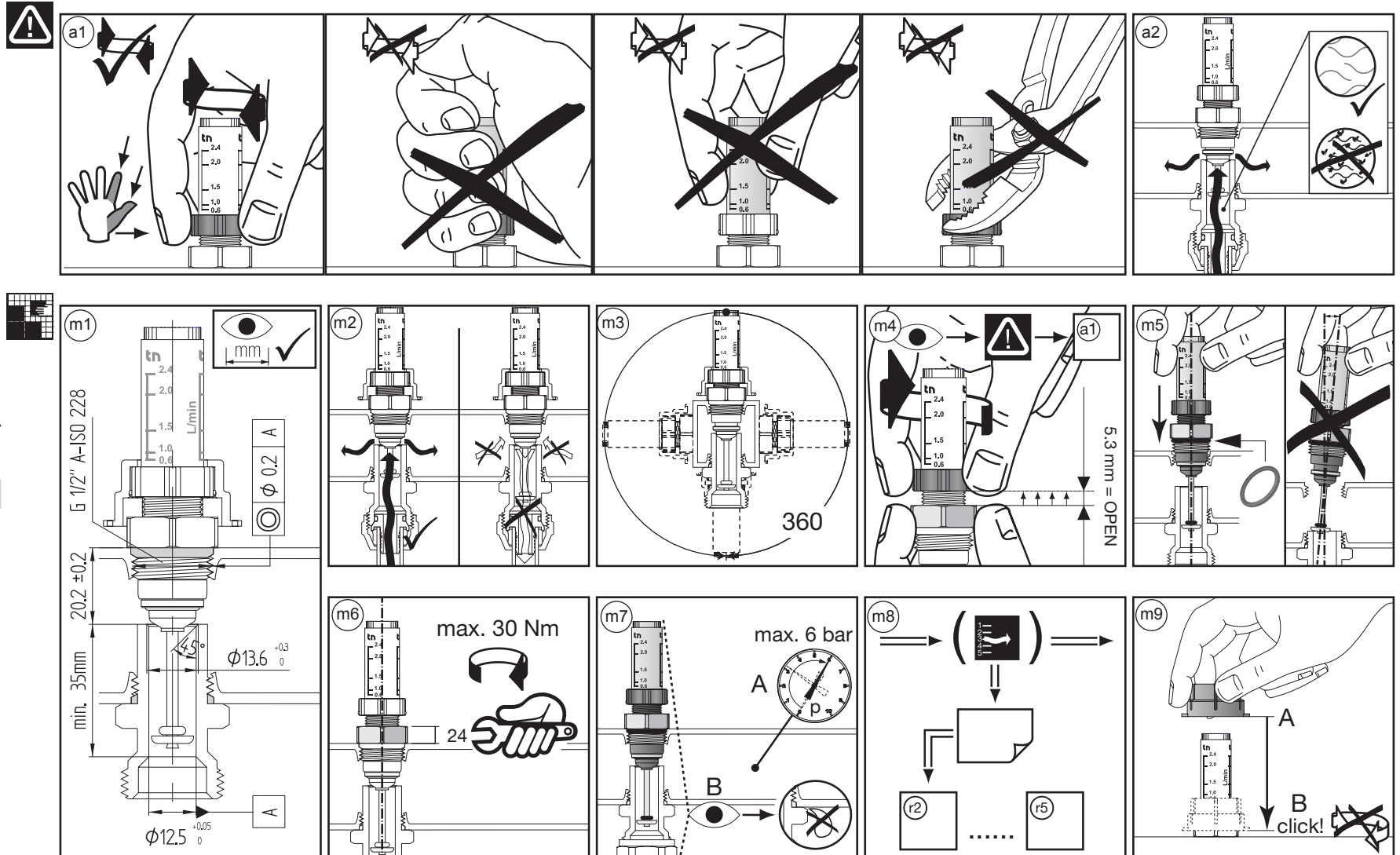


AO 23 TOPMETER RL 1/2"



| | | |
|----|------|----|
| DN | G | |
| 15 | 1/2" | 24 |

| | | |
|----|------------|--|
| TB | -10...80°C | |
| PB | 6 bar | |



AO 23 TOPMETER RL 1/2"

