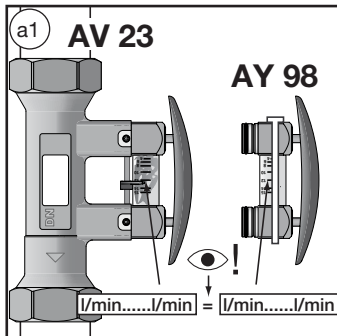
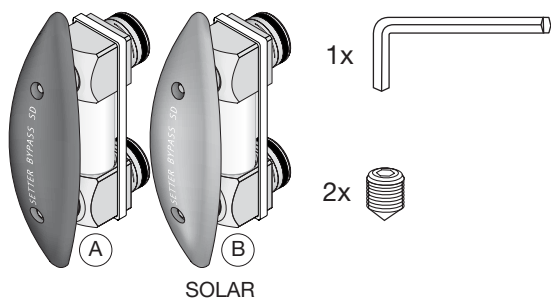
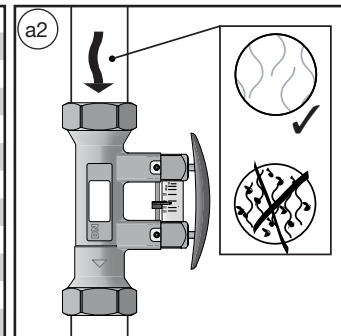


AY 98 Bypass SD – KIT



AV 23				AY 98		
DN	l/min			DN	l/min	
15	2 ... 8	→		20	2 ... 8	→
20	4 ... 15	→		25	4 ... 15	→
20	8 ... 30	→		25	8 ... 30	→
25	6 ... 20	→		25	6 ... 20	→
25	10 ... 40	→		25	10 ... 40	→
32	20 ... 70	→		25	20 ... 70	→
40	30 ... 120	→		25	30 ... 120	→
50	50 ... 200	→		25	50 ... 200	→
20	2 ... 12	→		25	2 ... 12	→
20	8 ... 20	→		25	8 ... 20	→
25	10 ... 40	→		25	10 ... 40	→



N°	Typ	l/min
298.2333.020	(A)	2 ... 8
298.2334.020	(A)	4 ... 15
298.2335.020	(A)	8 ... 30
298.2342.020	(A)	6 ... 20
298.2343.020	(A)	10 ... 40
298.2352.020	(A)	20 ... 70
298.2362.020	(A)	30 ... 120
298.2382.020	(A)	50 ... 200
298.2336.020	(B)	2 ... 12
298.2337.020	(B)	8 ... 20
298.2344.020	(B)	10 ... 40

(A)	TB	100°C	
	PB	10 bar	
(B)	TB	130°C	
	PB	8 bar	

