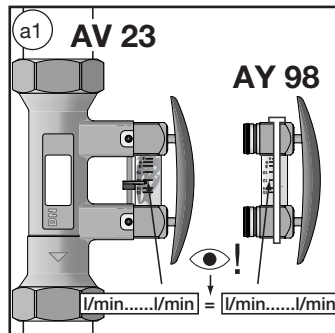
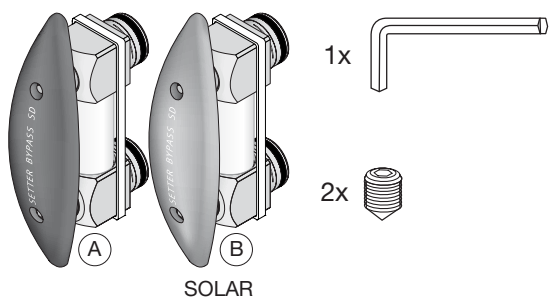
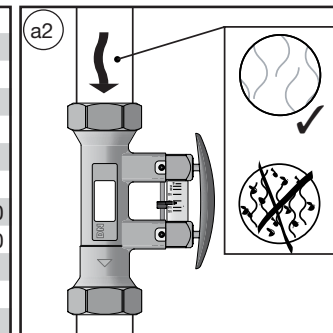


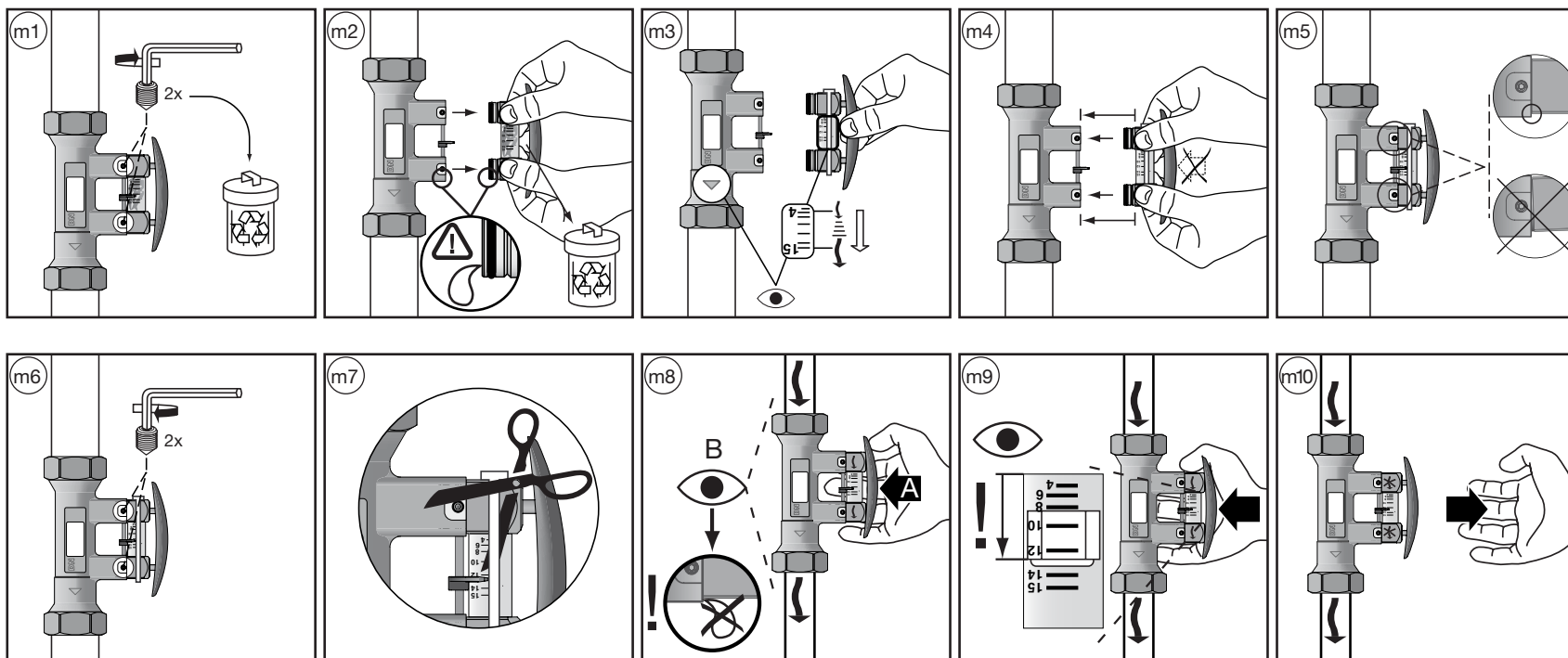
# AY 98 Bypass SD – KIT



AV 23			AY 98		
N°	DN	l/min	N°	DN	l/min
223.2262.000	15	2 ... 8	298.2333.020	15	2 ... 8
223.2360.000	20	4 ... 15	298.2334.020	20	4 ... 15
223.2362.000	20	8 ... 30	298.2335.020	20	8 ... 30
223.2460.000	25	6 ... 20	298.2342.020	25	6 ... 20
223.2461.000	25	10 ... 40	298.2343.020	25	10 ... 40
223.2561.000	32	20 ... 70	298.2352.020	32	20 ... 70
223.2661.000	40	30 ... 120	298.2362.020	40	30 ... 120
223.2861.000	50	50 ... 200	298.2382.020	50	50 ... 200
223.2380.000 SOLAR	20	2 ... 12	298.2336.020	20	2 ... 12
223.2381.000 SOLAR	20	8 ... 20	298.2337.020	20	8 ... 20
223.2482.000 SOLAR	25	10 ... 40	298.2344.020	25	10 ... 40



N°	Typ	l/min
298.2333.020	A	2 ... 8
298.2334.020	A	4 ... 15
298.2335.020	A	8 ... 30
298.2342.020	A	6 ... 20
298.2343.020	A	10 ... 40
298.2352.020	A	20 ... 70
298.2362.020	A	30 ... 120
298.2382.020	A	50 ... 200
298.2336.020	B	2 ... 12
298.2337.020	B	8 ... 20
298.2344.020	B	10 ... 40



A	TB	100°C
	PB	10 bar
B	TB	130°C
	PB	8 bar