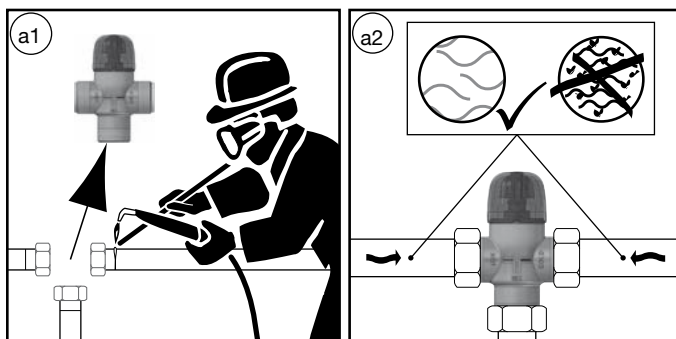
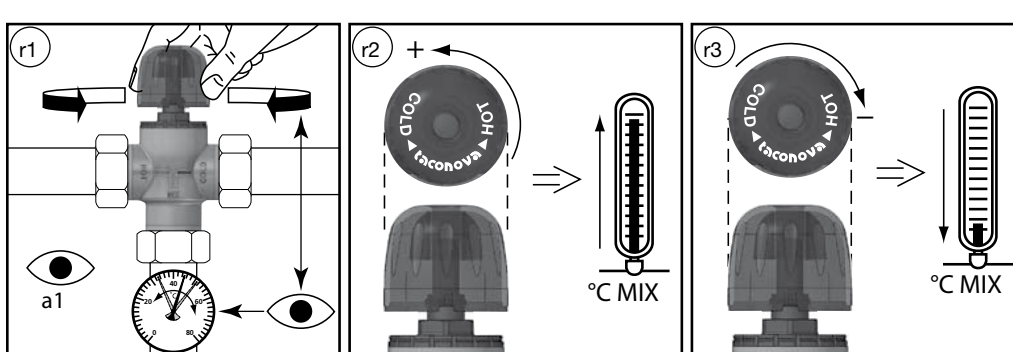
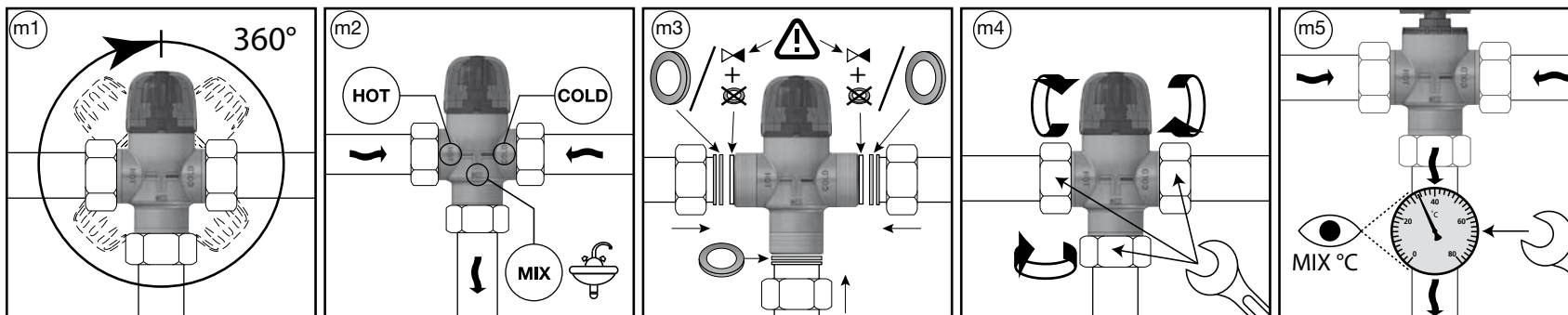


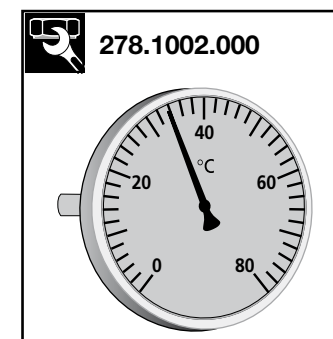
MT 53 DN 15 / DN 20 / DN 25



MT 53	TB	PB	DN	G	
253.1002.____	100°C	10 bar	15	3/4"	-
253.1003.____	100°C	10 bar	20	1"	-
253.1004.____	100°C	10 bar	25	1 1/2"	-
253.1102.____	90°C	10 bar	15	3/4"	✓
253.1103.____	90°C	10 bar	20	1"	✓
253.1104.____	90°C	10 bar	25	1 1/2"	✓



EN15092
 KTW / W270
 TÜV



MT 53 DN 15 / DN 20 / DN 25

